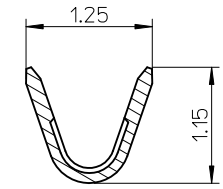
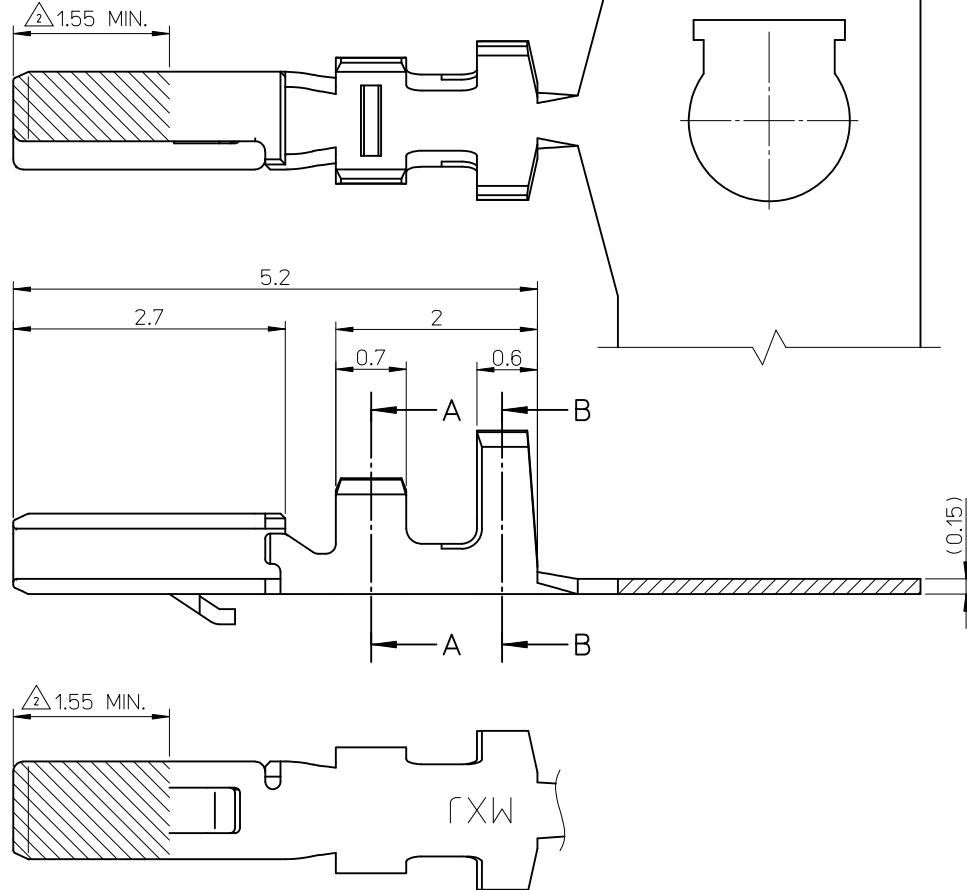
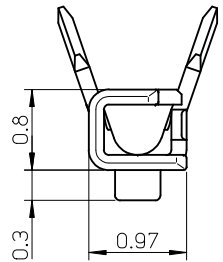
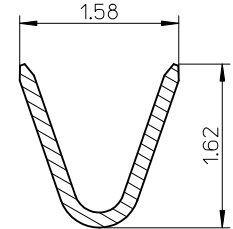


10 9 8 7 6 5 4 3 2 1



SECTION A-A



SECTION B-B

NOTES

- 適合ハウジング: 502380-****
APPLICABLE HOUSING: 502380-****
- 図示の斜線部の範囲は、接点部のため、傷、打痕、汚れなどを付けないようにして下さい。
PLEASE DON'T DAMAGE, DON'T DENT, AND DON'T MAKE IT DIRTY. BECAUSE THE RANGE IN THE SHADED PORTION SHOWN IN FIGURE IS THE CONTACT AREA.

φ0.78-1.07mm	AWG#26-28	502381-0000	連鎖状 CHAIN
絶縁被覆外径範囲 INS. RANGE	適用電線範囲 WIRE RANGE	製品番号 MATERIAL NO.	端子形状 FORM

部品 PART	材質 MATERIAL
ターミナル TERMINAL	銅合金 COPPER ALLOY
	鍍めつき: 0.4 micro-meter MIN. リフロー処理 (前めっき) REFLOW TREATMENT (PRE-PLATED)
	ニッケルめっき (下地): 0.1 micro-meter MIN. リフロー処理 (前めっき) NICKEL (UNDER PLATING) REFLOW TREATMENT (PRE-PLATED)

REVISED	DESCRIPTION	GENERAL TOLERANCES (UNLESS SPECIFIED)
EC NO: J2010-2153	2010/04/27	10 UNDER ±0.2
DRWN: YGOTO	2010/04/29	10 OVER 30 UNDER ±0.25
CHKDK: ASAKAWA	2010/05/12	30 OVER ±0.3
APPR: NUKITA		ANGULAR ±3 °
		DRAFT WHERE APPLICABLE MUST REMAIN WITHIN DIMENSIONS

DIMENSION STYLE		SCALE		DESIGN UNITS		THIRD ANGLE PROJECTION	
MM ONLY		20:1		METRIC		THIRD ANGLE PROJECTION	
DRAWN BY	DATE	TITLE				1.25 W/B CONN. SINGLE PLUG TERMINAL -LEAD FREE-	
T. MIYAZAKI	2006/08/28					MOLEX INCORPORATED	
CHECKED BY	DATE					DOCUMENT NO.	
K. ASAKAWA	2006/08/28					SD-502381-001	
APPROVED BY	DATE					SHEET NO.	
Y. ITO	2006/08/28					1 OF 1	
MATERIAL NO.	SEE TABLE						
SIZE	THIS DRAWING CONTAINS INFORMATION THAT IS PROPRIETARY TO MOLEX INCORPORATED AND SHOULD NOT BE USED WITHOUT WRITTEN PERMISSION						
A3							