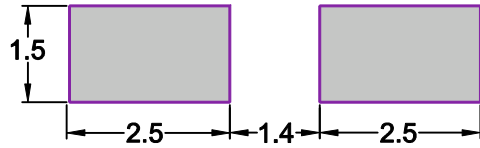
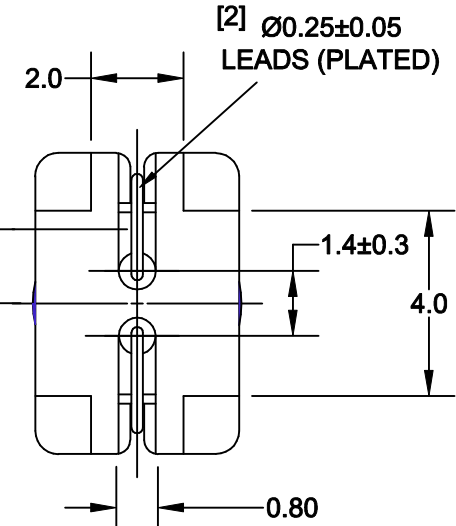
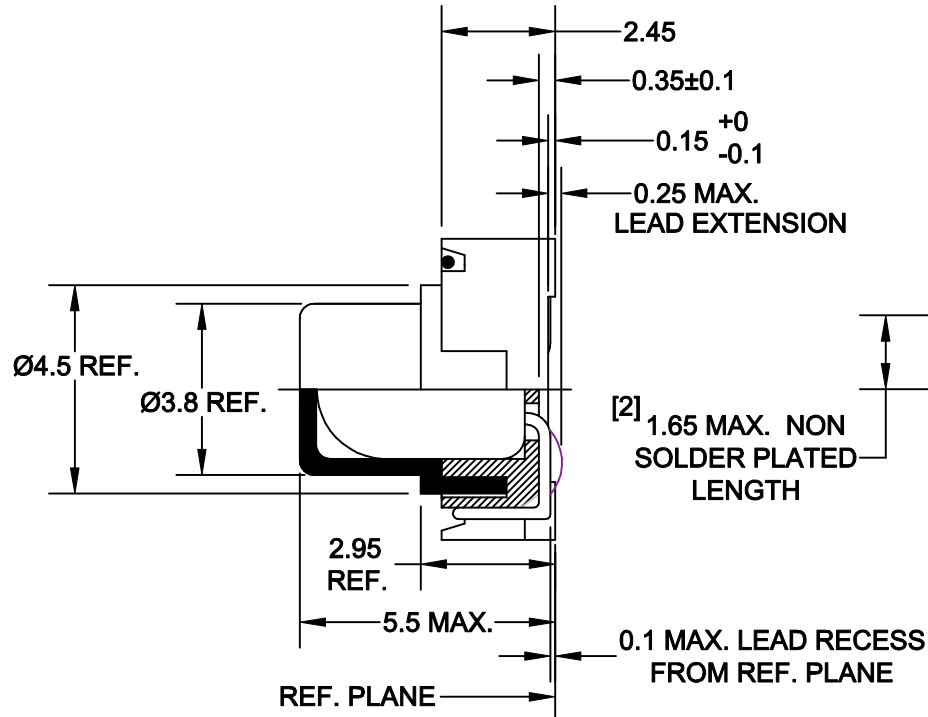
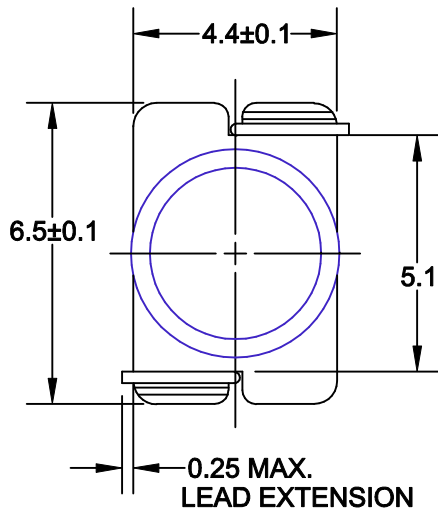
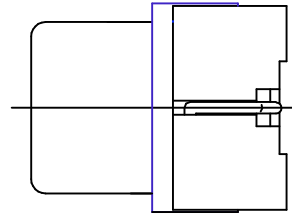


| REV. | DESCRIPTION/ECO NO. | DATE |
|------|---------------------|---------|
| | RELEASED | 5/13/02 |
| A | CHANGE BASE DESIGN | 6/7/02 |
| B | DIMENSION CHANGES | 6/26/02 |
| | | |
| | | |
| | | |



RECOMMENDED DIMENSIONS FOR PC-BOARD PAD



| LAMP NUMBER: 7152 | | | | | |
|-------------------|------------|-------------|---------------|-------------------|---------------|
| VOLTS RATED | AMPS ± 10% | *MSCP ± 25% | *LUMENS ± 25% | AVERAGE LIFE HRS. | FILAMENT TYPE |
| 5.0 | .115 | .150 | 1.89 | 20,000** | C-2R |

*LAMP RATING ONLY WITHOUT BASE AND FILTER

| |
|--------------------------------|
| FILTER NUMBER: 39-26-3A |
| COLOR REF.: YELLOW |

**DERIVED FROM ACCELERATED TESTING

JKL PART NUMBER: CSD4-7152/39-26-3A

| METRIC | | DIMENSIONS ARE IN MILLIMETERS | | JKL COMPONENTS CORPORATION | | | |
|---|------------------|--|---------------|---|-----------------------------------|-----------------|--|
| THIRD ANGLE PROJECTION | | TOLERANCE UNLESS OTHERWISE SPECIFIED 1 PL +/- 0.2 2 PL +/- 0.20 ANGLE +/- 0 | | TITLE T-1 SURFACE MOUNT LAMP WITH BASE AND FILTER (LOW PROFILE) | | | |
| DRAWN BY L. WENGSTROM | APPVD BY J.K. | DATE 6/26/02 | SIZE A | FSCM NO. 55335 | DRAWING NO. CSD4-7152/39-26-3A | REV. B | |
| - CAD DRAWING - MANUAL REVISIONS NOT PERMITTED | | | SCALE NONE | RELEASED DATE 5/13/02 | REVISION DATE 6/26/02 | SHEET 1 OF 1 | |