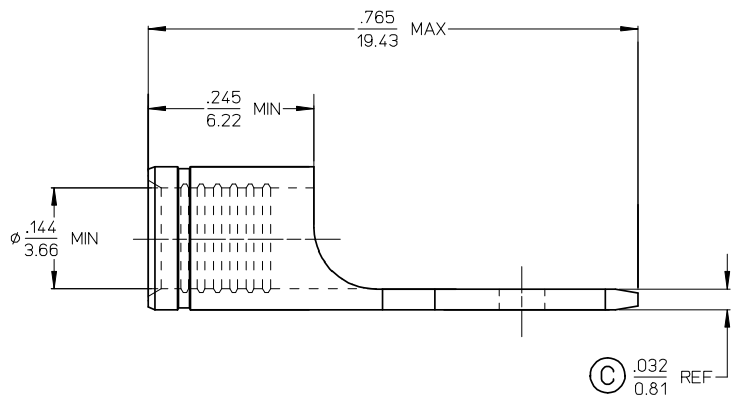
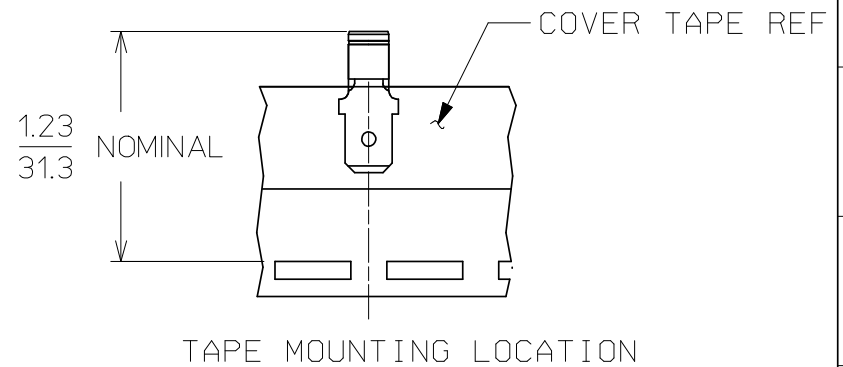
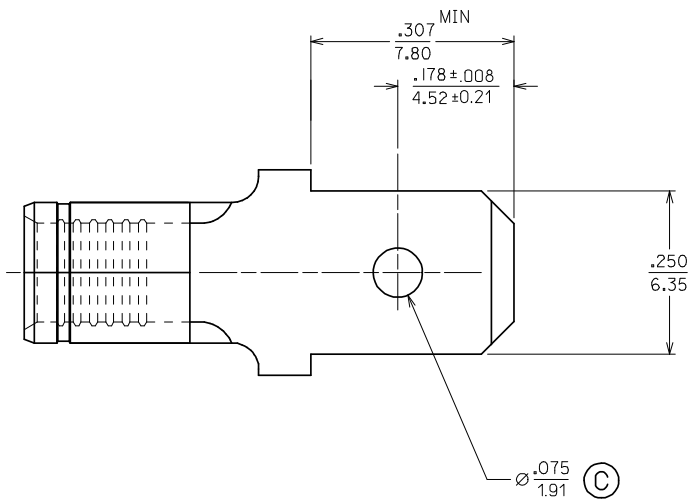


13	12	11	10	9	8	7	6	5	4	3	2	1
MATERIAL NUMBER		ENGINEERING NUMBER	DESCRIPTION									
190220015		CMCT-1	ZINC CHROMATE PLATED									
190220017		CMCT-1T	ZINC CHROMATE PLATED, TAPE MOUNTED									

Ⓒ
Ⓒ



SALES DRAWING

- Ⓒ NOTES:
1. MATERIAL: BRASS
 2. FINISH: SEE CHART
 3. WIRE SIZE: 12-10 AWG (3.09 - 5.01 mm²)
 4. TAB DIMENSIONS CONFORM TO UL310 SPECIFICATIONS.
 5. PART IS ROHS COMPLIANT.

CHANGED MATL & FINISH EC NO: ETC2007-0081 DRAWN:EHILE 2008/01/28 CHKD:JMACNEIL 2008/01/28 APPR:JMACNEIL 2008/02/13	QUALITY SYMBOLS	GENERAL TOLERANCES (UNLESS SPECIFIED)	DIMENSION STYLE	SCALE	DESIGN UNITS	THIRD ANGLE PROJECTION															
	$\nabla=0$ $\nabla=0$	<table border="1"> <tr> <th></th> <th>mm</th> <th>INCH</th> </tr> <tr> <td>4 PLACES</td> <td>± .---</td> <td>± .---</td> </tr> <tr> <td>3 PLACES</td> <td>± .---</td> <td>± .005</td> </tr> <tr> <td>2 PLACES</td> <td>± 0.13</td> <td>± .01</td> </tr> <tr> <td>1 PLACE</td> <td>± 0.25</td> <td>± .---</td> </tr> </table>		mm	INCH	4 PLACES	± .---	± .---	3 PLACES	± .---	± .005	2 PLACES	± 0.13	± .01	1 PLACE	± 0.25	± .---	IN/MM	4:1	INCH	
		mm	INCH																		
	4 PLACES	± .---	± .---																		
3 PLACES	± .---	± .005																			
2 PLACES	± 0.13	± .01																			
1 PLACE	± 0.25	± .---																			
DRAFT WHERE APPLICABLE MUST REMAIN WITHIN DIMENSIONS	<table border="1"> <tr> <td>DRAWN BY</td> <td>DATE</td> <td rowspan="3"> TITLE MALE CONNECTOR TERMINAL .250 X .032 TAB KRIMPTITE, 12-10 AWG </td> </tr> <tr> <td>MTS</td> <td>1985/02/20</td> </tr> <tr> <td>CHECKED BY</td> <td>DATE</td> </tr> <tr> <td>GZ</td> <td>1985/02/20</td> <td rowspan="2"> MOLEX INCORPORATED </td> </tr> <tr> <td>APPROVED BY</td> <td>DATE</td> </tr> </table>	DRAWN BY	DATE	TITLE MALE CONNECTOR TERMINAL .250 X .032 TAB KRIMPTITE, 12-10 AWG	MTS	1985/02/20	CHECKED BY	DATE	GZ	1985/02/20	MOLEX INCORPORATED	APPROVED BY	DATE	MATERIAL NO. SEE CHART	DOCUMENT NO. SD-19022-012	SHEET NO. 1 OF 1					
DRAWN BY	DATE	TITLE MALE CONNECTOR TERMINAL .250 X .032 TAB KRIMPTITE, 12-10 AWG																			
MTS	1985/02/20																				
CHECKED BY	DATE																				
GZ	1985/02/20	MOLEX INCORPORATED																			
APPROVED BY	DATE																				
A	REV	THIS DRAWING CONTAINS INFORMATION THAT IS PROPRIETARY TO MOLEX INCORPORATED AND SHOULD NOT BE USED WITHOUT WRITTEN PERMISSION																			