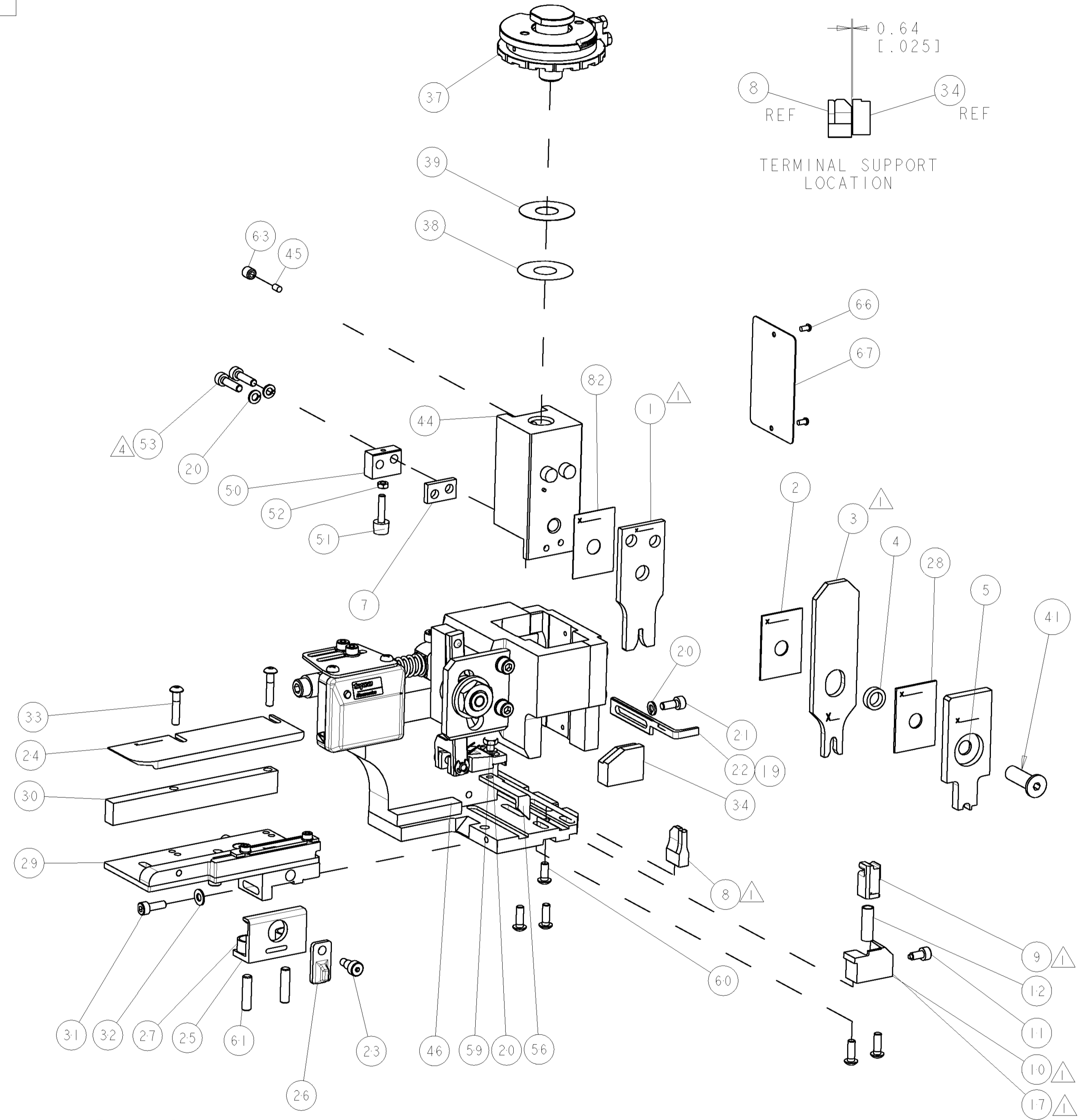


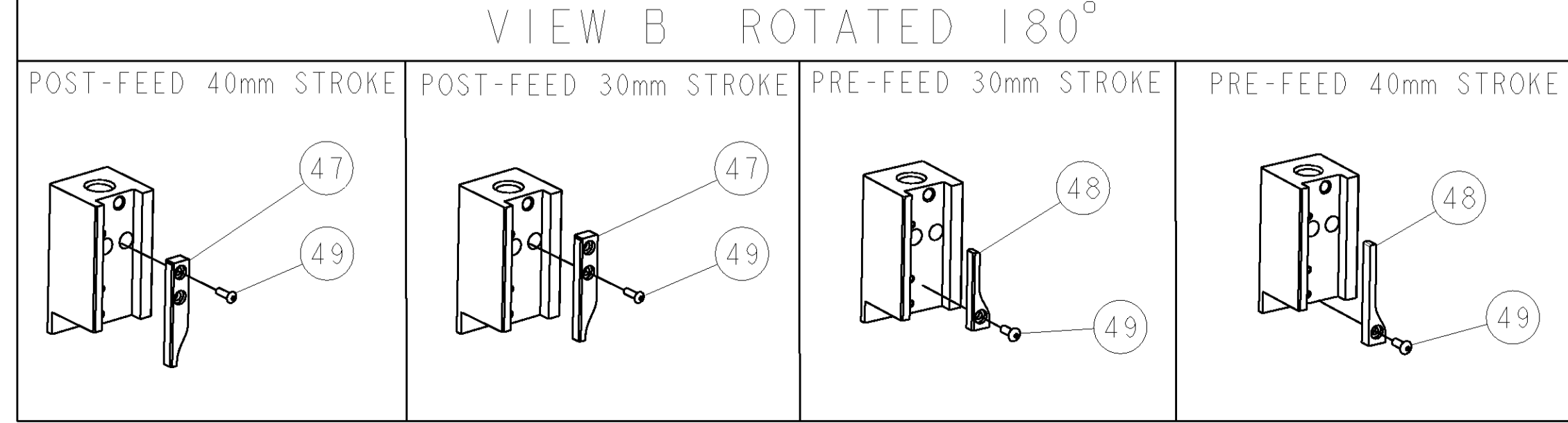
PART NUMBER	REV	TERMINATOR	FEED TYPE	DESCRIPTION
1528551-1	A	LEADMAKER	MECH POST FEED	CUTS CARRIER
1528551-2	A	BENCH	MECH PRE FEED	CUTS CARRIER
1528551-6	A	LEADMAKER	MECH POST FEED	CONTINUOUS CARRIER
7-1528551-1	A	LEADMAKER	MECH POST FEED	-1 AND SPARE PARTS
7-1528551-2	A	BENCH	MECH PRE FEED	-2 AND SPARE PARTS
7-1528551-6	A	LEADMAKER	MECH POST FEED	-6 AND SPARE PARTS
7-1528551-7	A	-	-	SPARE PARTS KIT

CRIMP DATA		TYCO TERMINAL	TYCO CRIMP SPEC
TERMINAL NAME: ELO-POWER 5.2x0.63 SOCKET CONTACT			
CRIMP	SIZE	TYPE	RANGE
WIRE	2.54 [1.00 IN]	F	1.50-2.50mm ²
INSUL	3.30 [1.30 IN]	o	2.20-3.00 [.087-.118 IN]
WIRE STRIP LENGTH 4.50-4.90 [1.77-.193 IN]		APPL INSTRUCTIONS 408-8322 & 408-8490	
TERMINAL APPL SPEC 114-18430		FEED 14.50 [1.571 IN]	
TERMINALS APPLIED			
1411597	-	-	-
-	-	-	-
-	-	-	-
-	-	-	-
-	-	-	-
WIRE SIZE	CRIMP HEIGHT	REF SETTING	
2.50mm ²	1.88 ±0.05 [.074 ±.002 IN]	A9	
1.50mm ²	1.58 ±0.05 [.062 ±.002 IN]	C9	

- △ RECOMMENDED SPARE PARTS
- 2. GREASE RAM, CAM, CAM FOLLOWER AND FEED ROD LIGHTLY
- 3. LUBRICATE DAILY PER THE APPLICATOR INSTRUCTION SHEET SUPPLIED WITH THE APPLICATOR
- △ CUT TO LENGTH AT ASSEMBLY



* WARNING
ON INSTALLATION, SET WIRE DISC TO LARGEST WIRE SIZE SETTING. USE OF SETTINGS BELOW MIN. REQUIRED CRIMP HEIGHT SETTING WILL CAUSE DAMAGE TO CRIMP TOOLING.



-77	-76	-72	-71	-6	-2	-1	PART NO	DESCRIPTION	ITEM NO
-	-	-	-	-	-	-	-	-	84
-	-	-	-	-	-	-	-	-	83
-	-	-	-	-	-	-	455888-3	SPACER, CRIMPER	82
-	-	-	-	-	-	-	-	-	81
-	-	-	-	-	-	-	-	-	80
-	-	-	-	-	-	-	-	-	79
-	-	-	-	-	-	-	-	-	78
-	-	-	-	-	-	-	-	-	77
-	-	-	-	-	-	-	-	-	76
-	-	-	-	-	-	-	-	-	75
-	-	-	-	-	-	-	-	-	74

SET UP GAGE
458637-3

REVISONS		DATE	BY	APPD
A	SEE ECO-05-006496	29JUL2005	MC	FB
A1	ECR-05-014606	01NOV2005	MY	GB

QTY	UNIT	DESCRIPTION	ITEM NO						
-	-	-	73						
-	-	-	72						
-	-	-	71						
-	-	-	70						
-	-	-	69						
-	-	-	68						
-	-	-	67						
-	-	-	66						
-	-	-	65						
-	-	-	64						
-	-	-	63						
-	-	-	62						
-	-	-	61						
-	-	-	60						
-	-	-	59						
-	-	-	58						
-	-	-	57						
-	-	-	56						
-	-	-	55						
-	-	-	54						
-	-	-	53						
-	-	-	52						
-	-	-	51						
-	-	-	50						
-	-	-	49						
-	-	-	48						
-	-	-	47						
-	-	-	46						
-	-	-	45						
-	-	-	44						
-	-	-	43						
-	-	-	42						
-	-	-	41						
-	-	-	40						
-	-	-	39						
-	-	-	38						
-	-	-	37						
-	-	-	36						
-	-	-	35						
-	-	-	34						
-	-	-	33						
-	-	-	32						
-	-	-	31						
-	-	-	30						
-	-	-	29						
-	-	-	28						
-	-	-	27						
-	-	-	26						
-	-	-	25						
-	-	-	24						
-	-	-	23						
-	-	-	22						
-	-	-	21						
-	-	-	20						
-	-	-	19						
-	-	-	18						
-	-	-	17						
-	-	-	16						
-	-	-	15						
-	-	-	14						
-	-	-	13						
-	-	-	12						
-	-	-	11						
-	-	-	10						
-	-	-	9						
-	-	-	8						
-	-	-	7						
-	-	-	6						
-	-	-	5						
-	-	-	4						
-	-	-	3						
-	-	-	2						
-	-	-	1						
-77	-76	-72	-71	-6	-2	-1	PART NO	DESCRIPTION	ITEM NO
-	-	-	-	-	-	-	-	-	84
-	-	-	-	-	-	-	-	-	83
-	-	-	-	-	-	-	455888-3	SPACER, CRIMPER	82
-	-	-	-	-	-	-	-	-	81
-	-	-	-	-	-	-	-	-	80
-	-	-	-	-	-	-	-	-	79
-	-	-	-	-	-	-	-	-	78
-	-	-	-	-	-	-	-	-	77
-	-	-	-	-	-	-	-	-	76
-	-	-	-	-	-	-	-	-	75
-	-	-	-	-	-	-	-	-	74

LOC	DIST	REV	DATE	BY	APPD
A	66		09JUN2005	CLIFFORD	
			09JUN2005	BACKHURST	

TYCO ELECTRONICS	TYCO ELECTRONICS
Harrisburg, PA 17105-3608	Harrisburg, PA 17105-3608

PRODUCT SPEC	APPLICATION SPEC	WEIGHT	SCALE	SHEET	OF	REV
FINE ADJUST SIDE FEED HDI APPLICATOR	See Table		3:5	1	1	A1