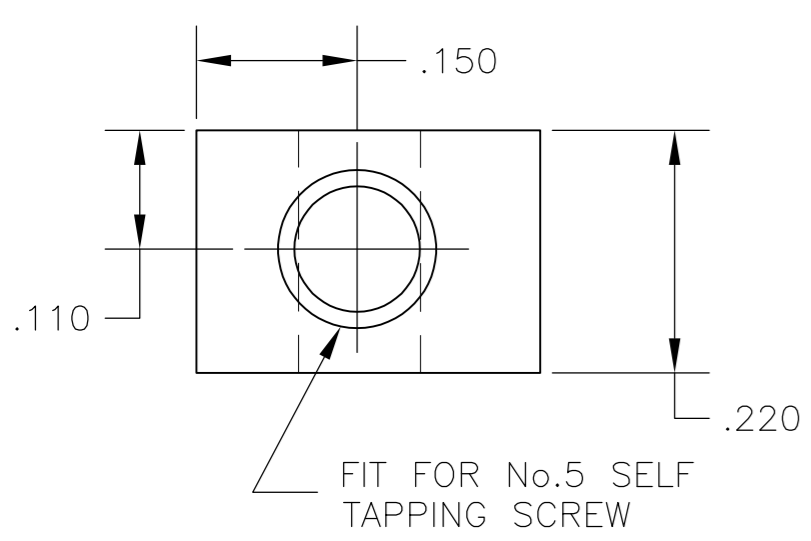
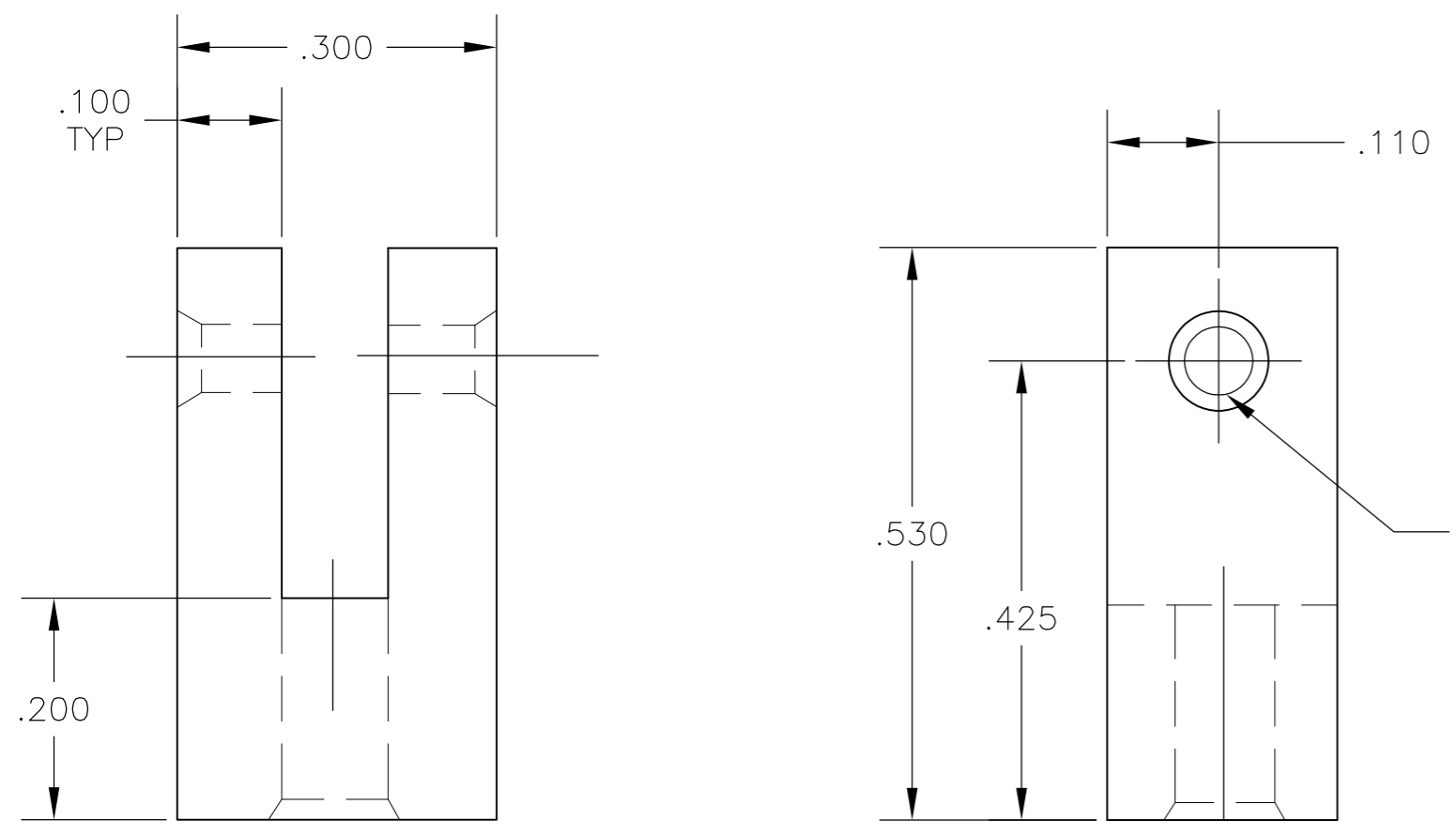


THIS DRAWING IS UNPUBLISHED. RELEASED FOR PUBLICATION
 © COPYRIGHT BY TYCO ELECTRONICS CORPORATION. ALL INTERNATIONAL RIGHTS RESERVED.

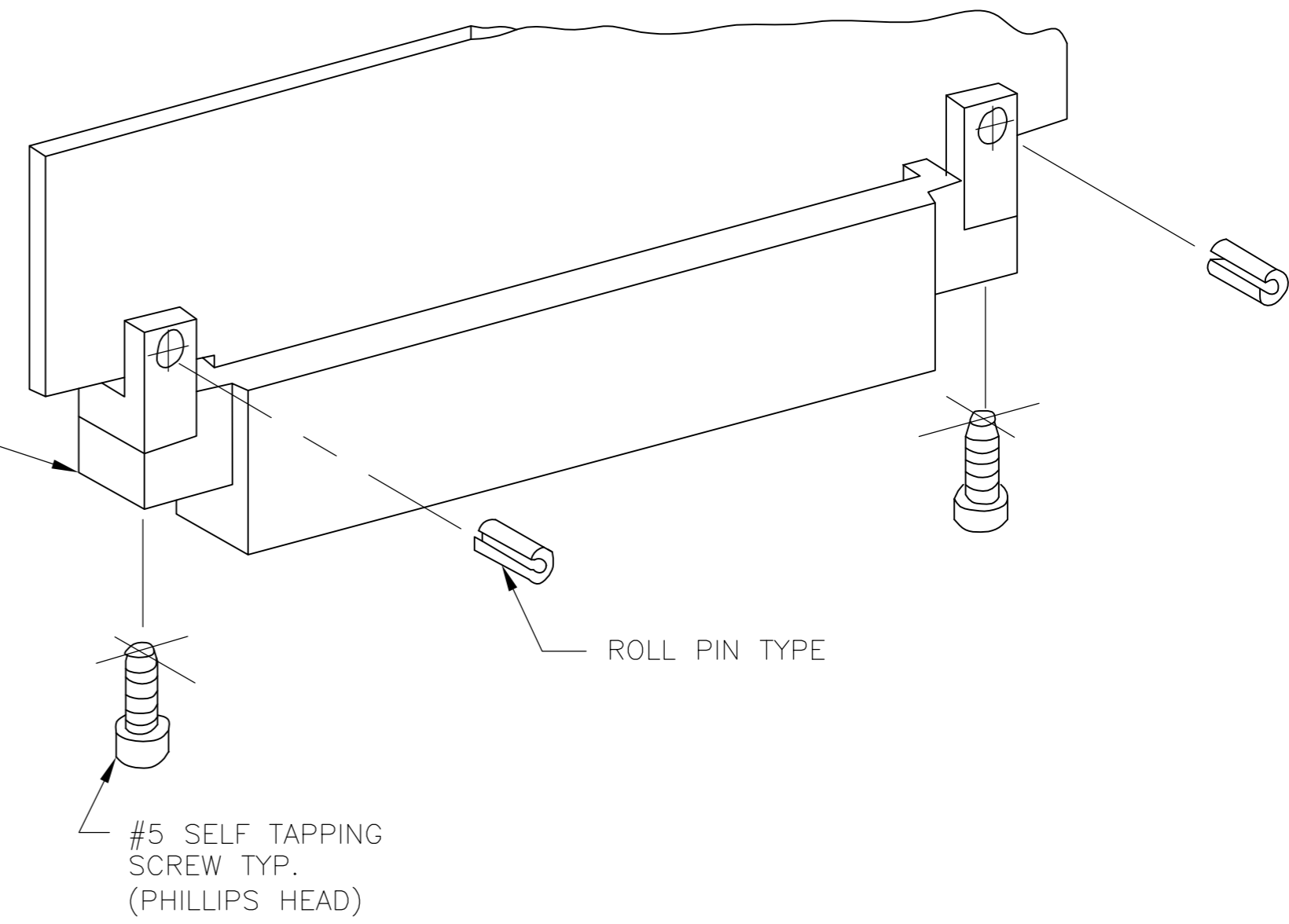
LOC	DIST	REVISIONS			
P	LTR	DESCRIPTION	DATE	DWN	APVD
AD	00	H	REVISED PER ECO-09-004905	02MAR09	HMR MM



- SUPERSEDED $\triangle 1$ 531250-1 KIT INCLUDES: 2=531250-2, 2=SCREWS #5 X $\frac{3}{8}$ ",
2=ROLL PINS $\frac{1}{16}$ " X $\frac{1}{4}$ "
- $\triangle 2$ 531250-2 AS SHOWN (BOARD RETAINER ONLY)
- OBSOLETE $\triangle 3$ 530250-3 KIT: SAME AS 530250-2 EXCEPT HOLE DIA IS .125 IN PLACE OF
FIT FOR $\frac{1}{16}$ " ROLL PIN
- SUPERSEDED $\triangle 4$ 530250-4 KIT INCLUDES: 2=531250-2, 2=SCREWS #5 X $\frac{7}{16}$ ",
2=ROLL PINS $\frac{1}{16}$ " X $\frac{1}{4}$ "
- $\triangle 5$ 5-530250-4 KIT (LEAD FREE) INCLUDES: 2=531250-2, 2 SCREWS #5 X $\frac{7}{16}$ ",
2=ROLL PINS $\frac{1}{16}$ " X $\frac{1}{4}$ "

FIT FOR $\frac{1}{16}$ " DIA,
ROLL PIN
(531250-1 AND -2)

HOUSING REF
AMP LEAF
TWIN LEAF
MOD FORK
AMP TAB



SUPERSEDED BY 5-531250-4	$\triangle 5$	5-531250-4
	$\triangle 4$	531250-4
OBSOLETE	$\triangle 3$	531250-3
	$\triangle 2$	531250-2
SUPERSEDED BY 5-531250-4	$\triangle 1$	531250-1
		DESCRIPTION
		PART NO

DIMENSIONS:		TOLERANCES UNLESS OTHERWISE SPECIFIED:		DWN		CHK		APVD		NAME	
INCHES		0 PLC ± -		A.M.SHARPE		RACILLA		RACILLA		Tyco Electronics Corporation	
		1 PLC ± -		11JULY78		RACILLA		RACILLA		Harrisburg, PA 17105-3608	
		2 PLC ± -				PRODUCT SPEC		PRODUCT SPEC		BOARD RETAINER, CARD EDGE, I/O CONN	
		3 PLC ± -				APPLICATION SPEC		APPLICATION SPEC		SIZE	
		4 PLC ± -								CAGE CODE	
		ANGLES ± -								DRAWING NO	
		FINISH								RESTRICTED TO	
MATERIAL		-								WEIGHT	
NYLON										A2 00779 C=531250	
										CUSTOMER DRAWING	
										SCALE	
										6:1	
										SHEET	
										1 of 1	
										REV	
										H	

531250