

4850, 8-pole, Socket, PCB terminals, DIN Plug/Socket



### Description

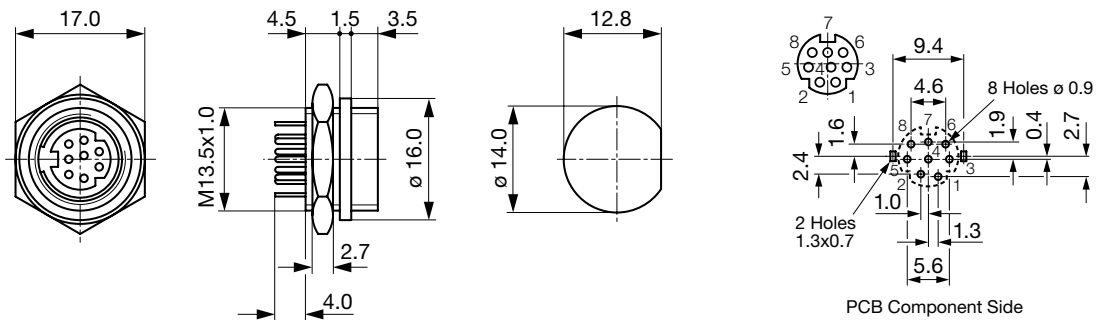
- PCB Mounting :  
Screw-on mounting , from rear-side
- DIN Plug: 8-pole , straight

### Technical Data

|                       |                   |                                 |  |
|-----------------------|-------------------|---------------------------------|--|
| Diameter              | 9.0 mm            | Allowable Operation Temperature | -20°C to 70°C                                  |
| Number of Poles       | 8-pole            | Terminal                        | PCB terminals silver plated                    |
| Ratings DC            | 1 A / 12 VDC      | Mounting                        | Screw-on mounting<br>wall thickness max. 2.0mm |
| Ratings AC            | 1 A / 100 VAC     | Lifetime                        | 5000 Insertions                                |
| Dielectric Strength   | 250 VAC           |                                 |  |
| Insulation Resistance | > 50 MΩ @ 250 VDC |                                 |  |

Detailed information on product approvals, code requirements, usage instructions and detailed test conditions can be looked up in [General Product Information](#)

### Dimensions



### All Variants

| Product group   | Diameter [mm] | Number of Poles | Terminal      | Order Number |
|-----------------|---------------|-----------------|---------------|--------------|
| DIN Plug/Socket | 9.0           | 8-pole          | PCB terminals | 4850.2800    |

Availability for all products can be searched real-time: <http://www.schurter.com/en/Stock-Check/Stock-Check-SCHURTER>

Packaging unit 250 Pcs

Mating Inlets/Plugs

Category / Description



[DIN Plug/Socket Overview complete](#)

|  |           |
|--|-----------|
| 4850, 8-pole, Plug, solder terminal, DIN Plug/Socket | 4850.1810 |
| 4850, 9-pole, Plug, solder terminal, DIN Plug/Socket | 4850.1910 |

[DIN Plug/Socket further types to 4850.2800](#)